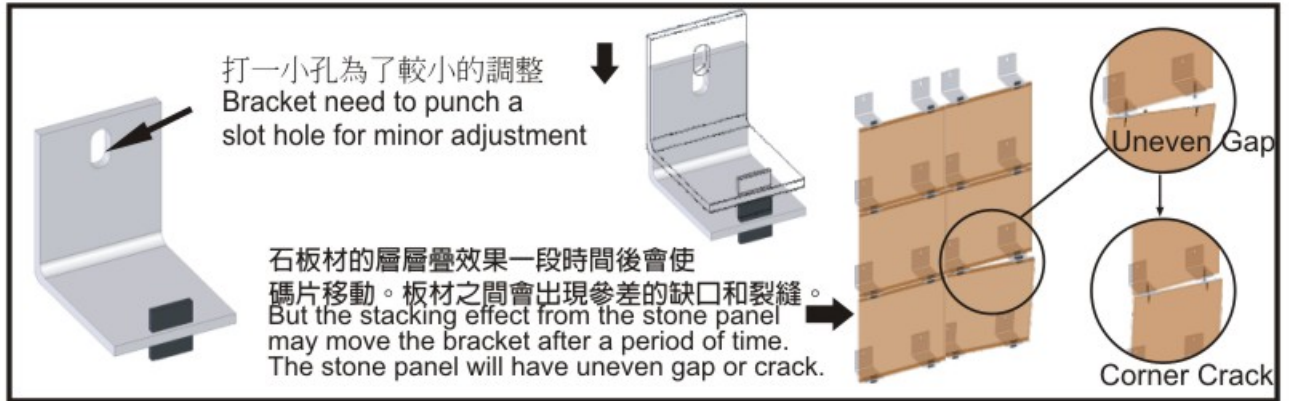
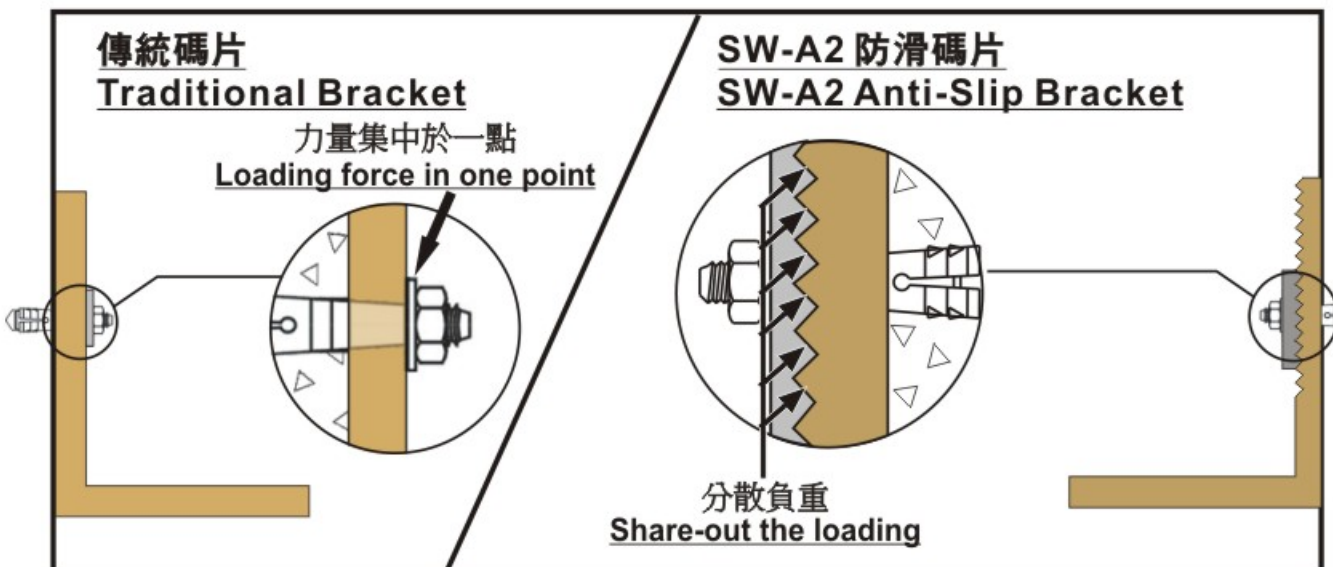
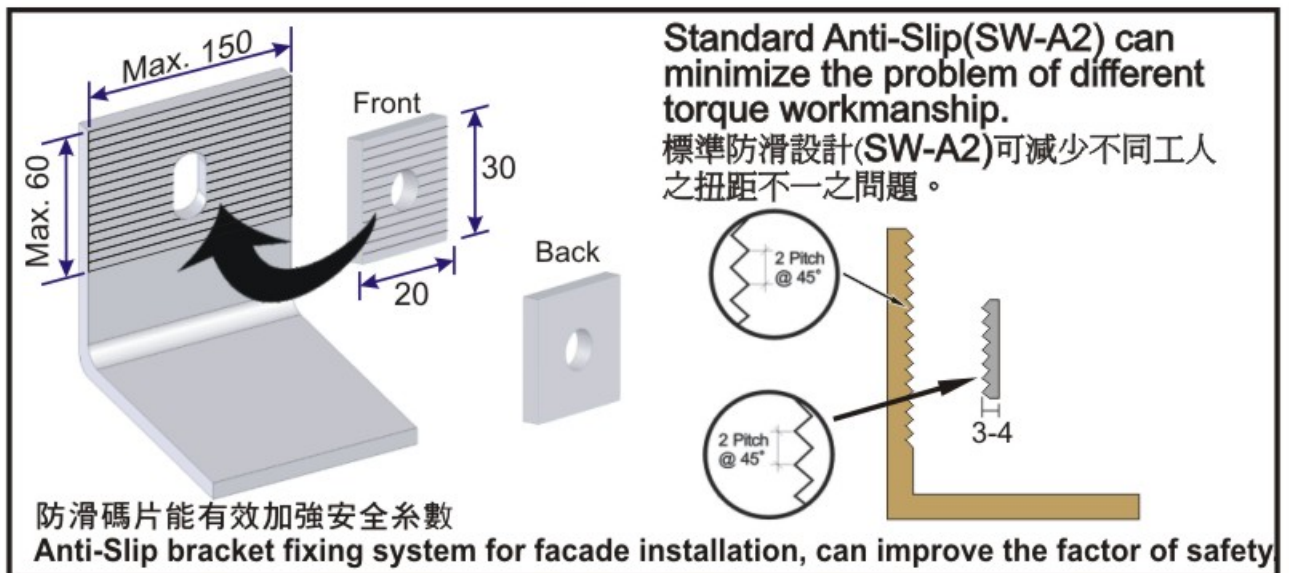


SW-A2 防滑碼片
Anti-Slip Bracket [SW-A2]

傳統碼片 / Traditional Bracket



SW-A2 防滑碼片 / SW-A2 Anti-Slip Bracket



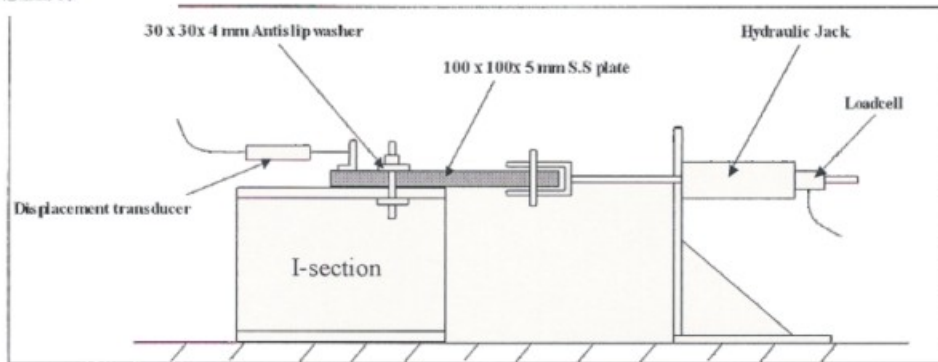
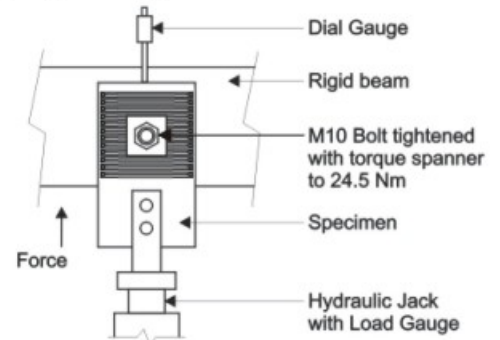
**測試結果：
Test Report**

Test : To determine the max. load capacity before slipping taking place

Ref. No. : 015/2001/YMC(Polytechnic University)
S-AS-99-08(Sunway)

Samples : 1) 100 x 100 x 5mm S.S. plate with
20 x 30 x 4mm original washer.

2) 100 x 100 x 5mm S.S. plate with
20 x 30 x 4mm SUNWAY
Anti-Slip Washer - SW-A2.


Result:

S.S. Plate without anti-slip washer	
Sample No.	Max. Load before slide
1	372kg
2	367kg
3	378kg

S.S. Plate with Sunway SW-A2	
Sample No.	Max. Load before slide
1	1539kg
2	1502kg
3	1510kg

Conclusion :

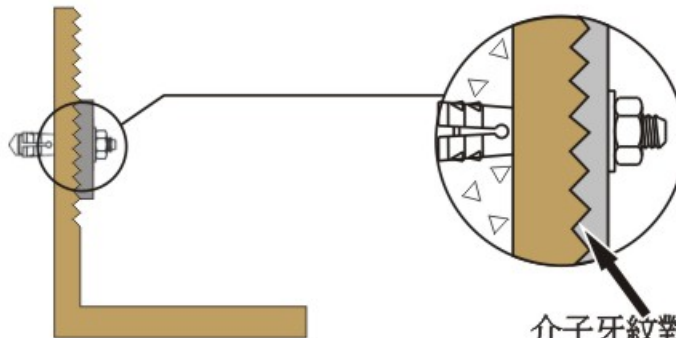
The SW-A2 Anti-Slip Bracket can bear 300% more load as the without antislip washer

如需更多資料或有任何疑問，請與我們聯絡。

For more information, please contact us.

Tel : (852) 2873 2804 , E-mail : sung@sunwayltd.com.hk

Fax: (852) 2814 0776 , Website : <http://www.sunwaymetal.com/>

安裝方法
Installation Method


安裝時介子牙紋需對齊及緊貼碼片坑紋，並使用適當扭力扭緊，達致防滑碼之防滑功能。

Serrated washer must be correct align and cling on the bracket serrated pattern, and use correct torque to install.

介子牙紋對齊及緊貼碼片坑紋。

Serrated washer must be correct align and cling on the bracket serrated pattern.

✓ 正確安裝方法
Correct Installation Method

介子需垂直放於碼片防滑部份，使其介子牙紋對齊碼片坑紋
如圖一及圖二

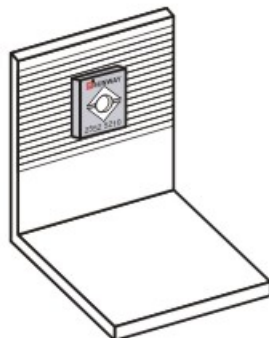
然後把介子上下移動，測試是否正確安裝，以達致其防滑功效

Washer must be vertical install on the bracket serrated pattern.

Test the washer movable or not to ensure it correctly install.

(Pic 1 and Pic 2)

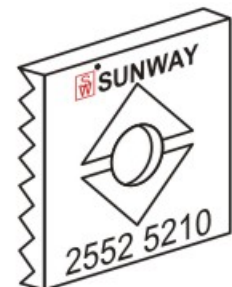
圖一
Pic 1



圖二(側面圖)

Pic 2 (Side View)

介子上下移動，
測試是否正確安裝
Ensure the washer
correctly install

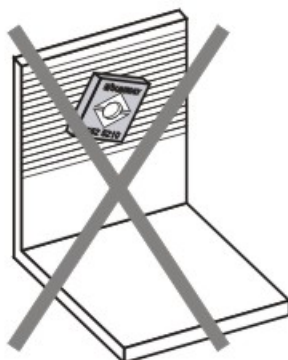

✗ 不正確安裝方法
Incorrect Installation Method

介子不是垂直平放於碼片防滑部份

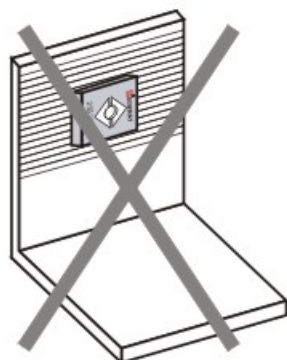
如圖三：介子斜放、圖四：介子90度左/右橫放

下列之不正確安裝方法均會減低防滑功效

If washer not vertical install on the bracket serrated pattern or incorrect install will decrease the anti-slip function
Pic 3 and Pic 4 are the incorrect install.



圖三
Pic 3



圖四
Pic 4

介子背面印有箭頭標記，只需將箭頭標記向上(如上圖)，垂直放於碼片防滑部份，便能正確安裝。

Back of washer have the arrow printing, the arrow sign show upward and vertical install on the bracket serrated pattern.

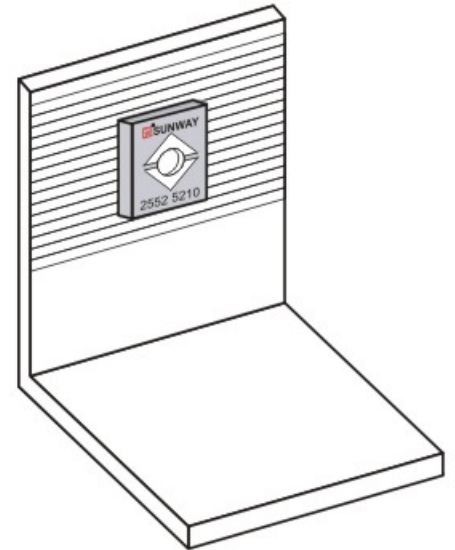


防滑碼片： Anti-Slip Bracket for Stone Facade Installation

SW-A2

物料：	S.S.304 / S.S. 316
Material:	
尺寸：	可按要求特別裁製
Size	Upon Request
	Can tailor made different size

 ASD Reference No. : 1948P
 香港特區建築署認可使用批號：1948P
Our SW-A2 Anti-Slip Bracket has already included in Architectural Services Department's List of Acceptable Materials



工作目錄

We are the first designer and manufacturer of providing Stainless Steel Anti-Slip Bracket for building facade in HK, which is already used in the stone panel project as listed below:

- | | |
|---|----------------------|
| -Teching Hotel of CUHK | -中文大學酒店教學大樓 |
| -Cyberport at Telegraph Bay, Pok Fu Lam | -數碼港 |
| -16 Ice House Street | -雪廠街16號 |
| -Dargon Air VIP Lounge
(HK International Airport) | -港龍航空貴賓室
(香港國際機場) |
| -H.K. Electric Headquarters (Kennedy Road) | -港燈總部(堅尼地道) |
| -51 Plantation Road | -種植道51號 |
| -150 Tai Po Kau | -大埔滌濤山 |
| -18 Farm Road | -農圃道18號 |
| -Miu Fat Buddhist | -妙法寺 |
| -One Silver Sea | -一號銀海 |
| -Manhattan | -曼克頓山 |
| -Mount Beacon | -畢架山峰 |
| -Cheung Yip Street, Kowloon Bay Project | -九龍灣祥業街項目 |
| -First/Second Street Project at Mid-Levels
West, Hong Kong | -西環第一街及第二街 |
| -International Commerce Centre (ICC) | -九龍站7期環球貿易廣場 |